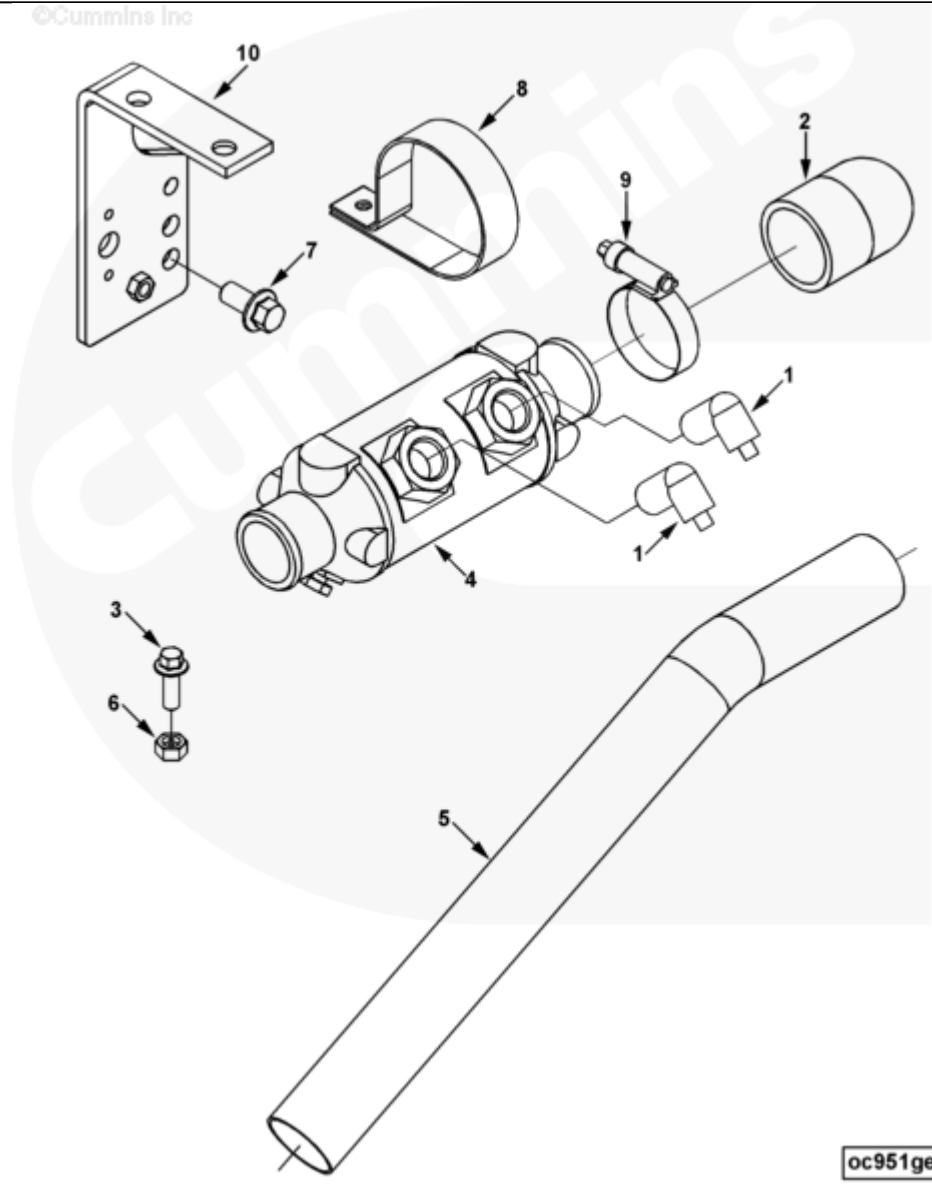




Parts Catalog - Option Detail

Electronic Parts Catalog - Option Detail				
Option	Group	Graphic	Film Card	Date
OC9043-03	16.05.4	oc951ge	Z	25-JUL-01
Engines	6C8.3, C GAS PLUS CM556, G8.3, G8.3 CM558, GTA8.3 CM558, ISC CM2150, ISC CM554, ISC CM850, ISC8.3 CM2250, ISC8.3 G CM2180 C101, ISL CM2150, ISL CM554, ISL CM850, ISL G CM2180, ISL8.9 CM2150 L110, ISL8.9 CM2880 L112, ISL9 CM2150 SN, ISL9 CM2250, ISL9 CM2350 L101, ISL9 CM2350 L111, ISLE4 CM850, L GAS PLUS CM556, L8.9, L8.9 L121, L8.9G CMOH2.0 L125B, L9 CM2350 L116B, L9 CM2350 L119B, L9 CM2350 L120C, L9 CM2350 L123B, L9.3 L105, L9.5 L117, L9N CM2380 L124B, QSC8.3 CM2250, QSC8.3 CM2880 C102, QSC8.3 CM554, QSC8.3 CM850(CM2850), QSL9 CM2250, QSL9 CM2250 L115, QSL9 CM2350 L102, QSL9 CM2350 L107, QSL9 CM2350 L118, QSL9 CM2350 L122, QSL9 CM554, QSL9 CM850(CM2850), QSL9 G CM558, QSL9 M CM2250 L106, QSL9.3 CM2880 L113			



oc951ge

[SMALL](#) | [MEDIUM](#) | [LARGE](#)

Cart	Ref No	Part Number	Part Description	Required	Remarks
View My Cart					
		OC9043-03	Marine Gear Oil Cooler		MR - COOLER, MARINE GEAR OIL...(More)
					Cooler Mounting Location:
					Fuel Pump Side
					HP Limitation: 220, 250, 260
					and 270 HP
					Water Connection Size: 1.75
					Inch
					Gear Cooler Supplier: Champ
					Allowed Type of Aftercooling:
					Jacket Water Aftercooled
<input type="checkbox"/>	1	102584	Male Adapter Elbow	2	
<input type="checkbox"/>	2	176743	Elbow Hose	1	
<input type="checkbox"/>	3	3093775	Hexagon Flange Head Cap Screw	1	M8 x 1.25 x 20
<input type="checkbox"/>	4	3393663	Oil Cooler	1	
<input type="checkbox"/>	5	3897613	Sea Water Pump Tube	1	
<input type="checkbox"/>	6	3900240	Regular Hexagon Nut	1	M8 X 1.25.
<input type="checkbox"/>	7	3901249	Hexagon Flange Head Cap Screw	2	M12 X 1.75 X 25.
<input type="checkbox"/>	8	3917120	Tube Clamp	1	
<input type="checkbox"/>	9	3922846	Hose Clamp	1	
<input type="checkbox"/>	10	4078398	Water Tube Bracket	1	

© 2019 Cummins Inc., Box 3005, Columbus, IN 47202-3005 U.S.A.
 Terms of Use and Disclaimers | Recommended System Requirements
 Need Assistance? Please click on the Contact Us button in the top right corner of any page.